

The background image shows a modern, two-story house with large glass windows and a swimming pool in the foreground. A semi-transparent teal box is overlaid on the left side of the image, containing the main text.

Coverdeck protects beautiful pools!

FOR EXISTING POOLS & POOLS UNDER CONSTRUCTION

COVERDECK THE BEST PROTECTION



See page 7 for more detail.



SAFETY GUARANTEED

A Coverdeck cover, like all BWT covers, is the best available means of preventing accidental falls into a pool.

Coverdeck complies with every stipulation of the French standard NF P 90-308 and allows you to enjoy your pool with complete peace of mind.

With a simple twist of a key and in just a few seconds, your cover closes effortlessly over your pool. Your pool is secured. Your peace of mind guaranteed.

TEMPERATE WATER

Coverdeck shelters your pool against cool nights and cold gusting winds. You can begin your pool season in early spring and extend it into late Indian summers.

PURE WATER

Coverdeck covers have an opacity coefficient that inhibits photosynthesis and hence the growth of algae. Your pool water is cleaner, this saves on filtration time and pool chemicals.

MAINTENANCE MADE EASY

BWT covers require little maintenance; they are designed to stay clean. When it comes to winterizing, BWT facilitates your life even further: the motor block on the motorised models is very light and can be removed with no tools in just a few seconds.

Summer and winter, BWT, offers the best possible protection.

With BWT,
you can relax!



A SIMPLE, CLEVERLY DESIGNED SYSTEM

Coverdeck covers from the BWT range are designed and manufactured by a market leader.

This self-contained, innovative cover does not require a dry pit for its motor. The patented motor drive system is comprised of a low power motor independent of the axle, a housed transmission and a planetary gear integrated into the axle.

Coverdeck's mounting system is installed under the coping without piercing the pool's waterproofing finish. The drive motor is easily accessible without any dismantling.

BECOME AN ECOCITIZEN

By keeping your pool clean and reducing filtration time, Coverdeck saves on energy and on pool chemicals.

Because Coverdeck reduces the quantity of water treatment products necessary, it lessens your pool's ecological impact on the environment.

Lastly, as part of its overall environmental design, the PVC that makes up your cover can be recycled. With Coverdeck, you get cutting edge technology and reduce your environmental foot print.



REDUCES EVAPORATION FROM INDOOR POOLS

On indoor pools, the cover slats form an effective barrier that prevents evaporation and subsequent condensation on walls and windows. This barrier also significantly reduces heat loss and generates cost savings.



Perfectly discreet and beautiful down to the finest details

Coverdeck covers are mounted in the area between the water line and the coping, so they are totally hidden from view. Nothing can be seen above the water line. The visual appeal of your pool surroundings is carefully preserved.





WINTERCLEAN P-F

The WinterClean P-F system is comprised of segments of high density polyethylene that clip onto the slats to cover the space between the slats and pool wall.



EASY TO USE

A key operated switch, mounted near the pool and out of reach of children, commands operation of the slat cover while allowing the user to keep an eye on the pool to ascertain that no-one remains in the water while the cover is moving.

UNRIVALLED KNOW-HOW

The BWT range offers years of experience along with state-of-the-art manufacturing tools to ensure a top quality, repeatable and rigorously monitored production process.

New slats!

BWT, THE PERFECT SLAT

BWT slats are the best in every category: exceptional bouyancy, excellent insulation, highly reliable. They were designed to satisfy the most demanding pool owners.

They are also acclaimed by professionals, who appreciate their special contour and cleverly thought out method of assembly.

- Dynamic contour, for excellent transmission of stress loading and easy deployment,
- Resists winding in the wrong direction,
- Attached with hooks,
- Ultrasonically welded end plugs ensure that the slat is completely leaktight.

SLATS THAT SLIDE TOGETHER

The slats, delivered in pre-assembled sets of six, are slid together. With no clipping required, this method of assembly protects the slat hinges. A cleverly designed system, down to the finest detail.

EXCLUSIVE ANTI-TILT MECHANISM

The angle of deflection of the slats is the smallest available on the market (-50° to +15°). This limits the sinking of the slat cover under the weight of a person, and provides better protection in the event of a fall onto the cover.

Featuring rigid slats, each with three air cells, Coverdeck covers are the outright winners in the bouyancy category. An added safety feature.

A Procopi exclusive!

REDUCED EVAPORATION FROM INDOOR POOLS

On indoor pools, the cover slats form an effective barrier that prevents evaporation and subsequent condensation on walls and windows. This significantly reduces heat loss and generates cost savings.

BECOME AN ECOCITIZEN

By keeping your pool clean and reducing the filtration time, Coverdeck saves on energy and on pool chemicals, this helps lessen your pool's ecological impact on the environment. Lastly, the PVC slats of your Coverdeck cover can be recycled.



NEW:
*Polycarbonate
slats*



Available only for submerged covers with a stepped finish.

Caution: polycarbonate slats do not allow compliance with the French standard NF P 90-308.





"LOCK" SAFETY FASTENERS

A wide choice of colours for your Lock safety fasteners.

12 colours available, to match liner colours: White, Light Blue, Blue Grey, Dark Blue, Mint, Beige, Taupe, Clay, Grey, Anthracite Grey, Black and Translucent Blue.



STEPS

BWT covers can be manufactured to fit straight steps, Roman steps, even free-form steps. Two types of step finish are available, stepped or smooth.



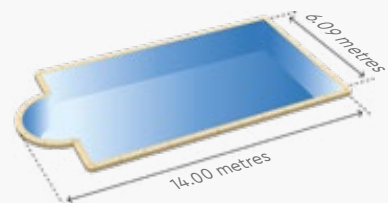
Stepped finish



Smooth finish

MAXIMUM DIMENSIONS

The maximum dimensions of a Coverdeck cover are 6.09 x 14 metres.



A simple, cleverly designed system

ADVANTAGES:

- Designed for retro-fitting to existing pools,
- Motor above the water line,
- No dry pit required for the motor,
- The flanges are mounted without piercing the pool waterproofing (no pre-sealing),
- Patented system,
- Beautiful,
- Complies with French regulations in effect (NF P 90-308).

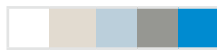
INNOVATION

The motor is located above the water line. It is protected against splashing.

It is easily accessible, without dismantling.

SLAT COVER

Available in 5 colours:



PC SLAT APRON

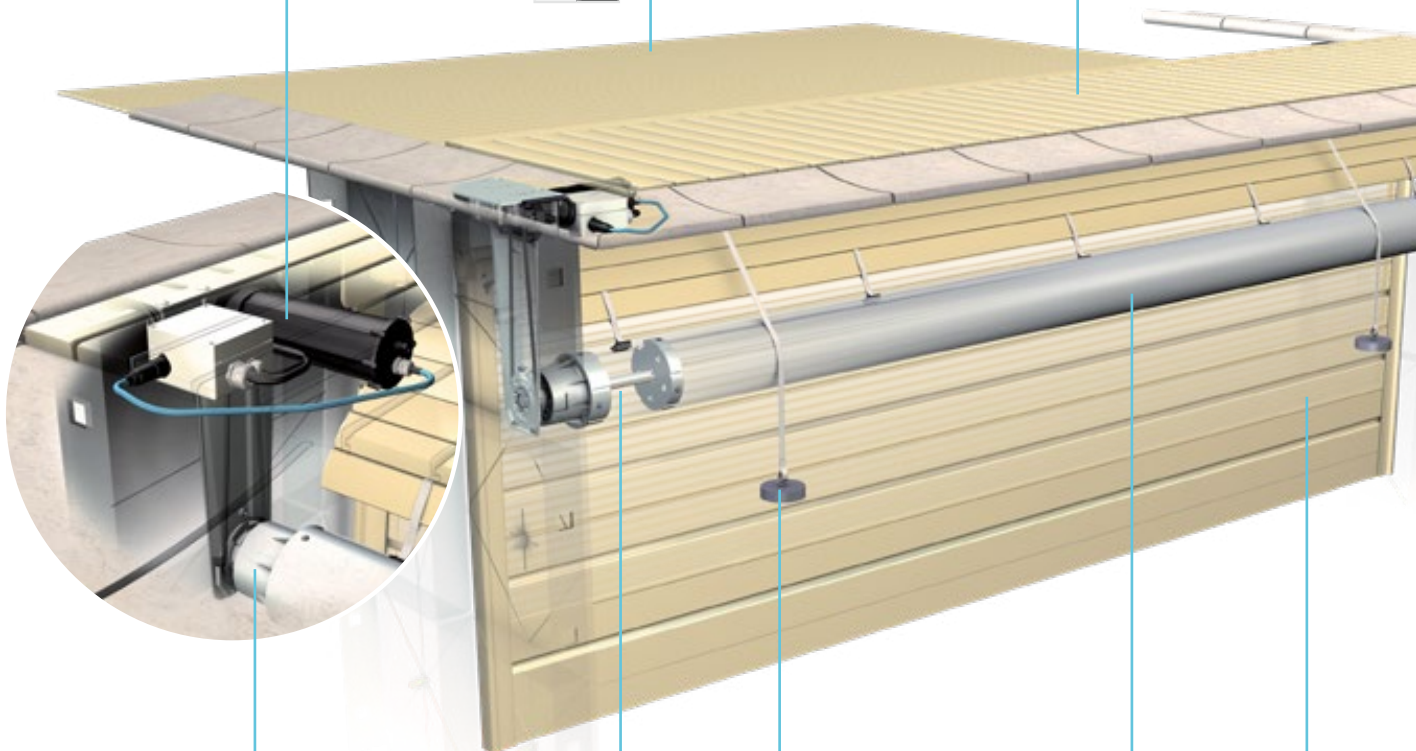
Available in 2 colours.

(does not comply with the French standard NF P 90-308).



DUCKBOARDING

Wood or 6 PVC colours



TRANSMISSION

Drive belt and planetary gear.

SHAFT

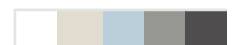
made of stainless steel.

ALUMINIUM AXLE

Ø 190mm or 192 mm.

PIT WALL

available in 5 colours.



COUNTERWEIGHT

MOUNTING FLANGE

for the axle and sealing plate.



LEGAL INFORMATION

All BWT covers comply with the French standard NF P 90-308 (May 2004 version concerning pool protection) if all items comprising the cover are supplied by Procopi.

Pool safety cover intended to deny children under five access to the pool. This cover is no substitute for common sense or individual responsibility. Nor is it intended to replace the vigilance of parents and/or responsible adults that remains the key factor in ensuring the safety of young children

BEAMS

- Beams are designed for coping that is at least 30 mm thick. A ledge must be created under the coping to pass the beam sealing plate. If the coping is less than 30 mm thick, the beam will be higher than the coping. The maximum beam width is 6.09 m. The beams are trimmed to length in the factory according to the dimensions provided.
- The lacquered aluminium beams are 133 mm thick.
- The beams are mounted in height-adjustable shoes that allow the beam to be aligned with the coping nose.

Light blue

Blue grey

White

Grey

Anthracite grey

PIT WALL

Specially designed to bring pools into compliance with safety standards. Each pit wall is custom made in the factory. Compatible with all types of pool waterproofing (tiles, liner, reinforced PVC, etc.). The pool waterproofing is not pierced: the Coverdeck pit wall is mounted on plates sealed under the coping on each side of the pool.

Components:

- 2 coloured PVC lateral guide rails,
- 1 coloured top finishing strip with an inner aluminium reinforcing bar,
- 1 pit wall comprised of coloured PVC panels 40 mm thick that are slotted together.

DUCKBOARDING

The duckboarding that covers the Coverdeck cover pit is delivered with wedges (30, 40 or 55 mm thick) that allow the height of the duckboarding to be adjusted to the height of the coping nose.

MECHANICAL ASSEMBLY

- 2 plates to be sealed in,
- 2 axle bearing flanges,
- 1 aluminium axle with planetary gear,
- 1 drive motor,
- 1 stainless steel drive shaft ,
- 1 electrical panel featuring electronic end of travel controls,
- 3 counterweights.

POOL FITTINGS

- to be selected to match the pit wall,
- matches the beam colour.



PROCOPI S.A.S.

Les Landes d'Apigné – B.P. 45328
35653 LE RHEU Cedex – FRANCE

+ 33 2 99 14 78 78 ☎ + 33 2 99 14 59 05
✉ rennes@procopi.com

procopi.com

Dealer's stamp: